

HS-25-400
Temperature Calibration Source



Easy to use
flexible on site calibration

100°C to 400°C
212°F to 752°F

Typical Applications

Calibration of infrared pyrometers

Features

Portable and very small size

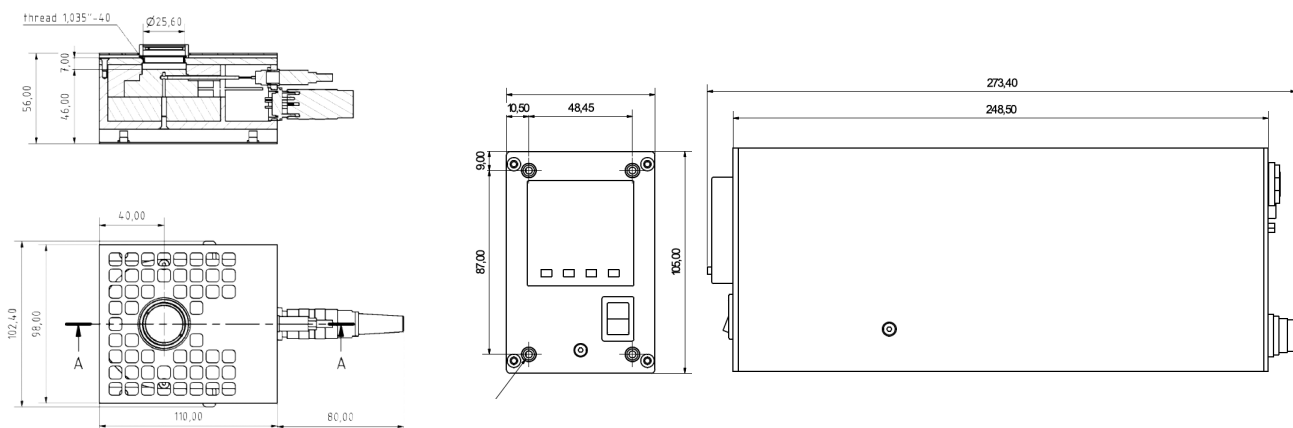
Highly flexible in use

Fast heating up

Technical Data

	HS-25-400 (Temperature Calibration Source)
Temperature range:	100°C - 400°C (212°F - 752°F)
Spectral range:	1.5µm - 2.8µm
Emissivity:	0.97
Accuracy:	+/- 2K + 1% of reading
Stability:	+/- 0.1°K @200°C after 4 min stabilization
Resolution:	0.1°C
Heated Area:	25mm
Heating rate:	50°C / min
Ambient temperature:	10°C to 40°C; non condensation
Dimensions:	110 x 102x 56 mm
Weight:	0.78 kg
	Controller (TC10-LV)
Power supply:	230VAC, 50-60Hz, 85VA (120V AC on request)
Fuse:	2x micro fuse (5x20mm) 1.6A
Dimensions:	273 x 69 x 105 mm
Weight:	2.3 kg
Protection:	IP30
CE label:	According to EU directives for electromagnetic immunity
Conformity:	The RoHS Directive 2011/65/EU of 2011-06-08 with supplement from 2015-03-31 is fulfilled

Dimensions



You are solely responsible for selecting the appropriate product for your application, validating and testing your application, and ensuring your application meets applicable standards, and any other safety, security, or other requirements.
Data are subject to be changed without notice.

ultimate laser processing

Dr. Mergenthaler GmbH & Co. KG
Lilienthalstraße 14, D-89231 Neu-Ulm, Germany
+49-731-159790-40
info@ma-info.de
www.ma-info.de